

BrackIT[®] Stand Scandio Black

Item no.: 8274

Floor stand, mobile

The BrackIT[®] Stand Scandio Black is a mobile floor stand for a screen from 55 - 86" | 140 - 218 cm.

The included VESA mount can be equipped from VESA 200 x 200 mm min. to 900 x 600 mm max.. The screen is mounted in landscape orientation.

The mounting frame can be installed at different heights, thus ensuring height variability between 1335 mm min. and 1555 mm max. (approx. centre of screen | Tool needed).

Thanks to the high quality castors with rubber protective coating, the system is mobile and can

be placed safely at the desired location with locking brakes.

An AV shelf for accessories and an optionally usable, height adjustable camera holder are included in the scope of delivery.

The surfaces of the BrackIT[®] Stand Scandio Black are finished with a solvent free, impact and scratch resistant powder coating in black.

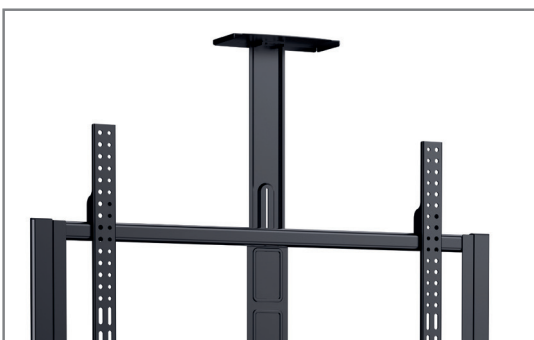
The maximum load capacity is 90 kg.



Castors with rubber protective coating and locking brake



Incl. AV shelf for accessories



Incl. height adjustable camera holder (optional usable)



BrackIT[®] Stand Scandio Black

Floor stand, mobile

Item no.: 8274

- Floor stand, mobile
- Suitable for screens from 55 - 86" | 140 - 218 cm
- VESA 200 x 200 mm min. - 900 x 600 mm max.
- Installation in landscape format
- Mounting frame can be installed at different heights - thus height variable between 1335 mm min. and 1555 mm max. (approx. centre of screen | tool needed)
- Dimensions (without screen):
H 2256 x W 1120 x D 674 mm
- Mobile, thanks to high quality castors with rubber protective coating and locking brake
- Incl. height adjustable camera holder (optional usable)
- Incl. AV shelf for accessories
- 90 kg load, max.
- solvent free, impact and scratch resistant powder coating
- Colour: black

